

Brinsea

Octagon 20 Parrot Rearing Module for brooding Parrots and other altricial bird species

User instructions

Contents

<u>Section</u>	<u>Subject</u>	<u>Page</u>
1	Introduction	2
2	Unpacking	2
3	Location and Installation	3
4	Temperature	3
5	Humidity	4
6	Introducing your birds	5
7	Cleaning up	5
8	Servicing	5
9	Specifications	6

1.0 Introduction

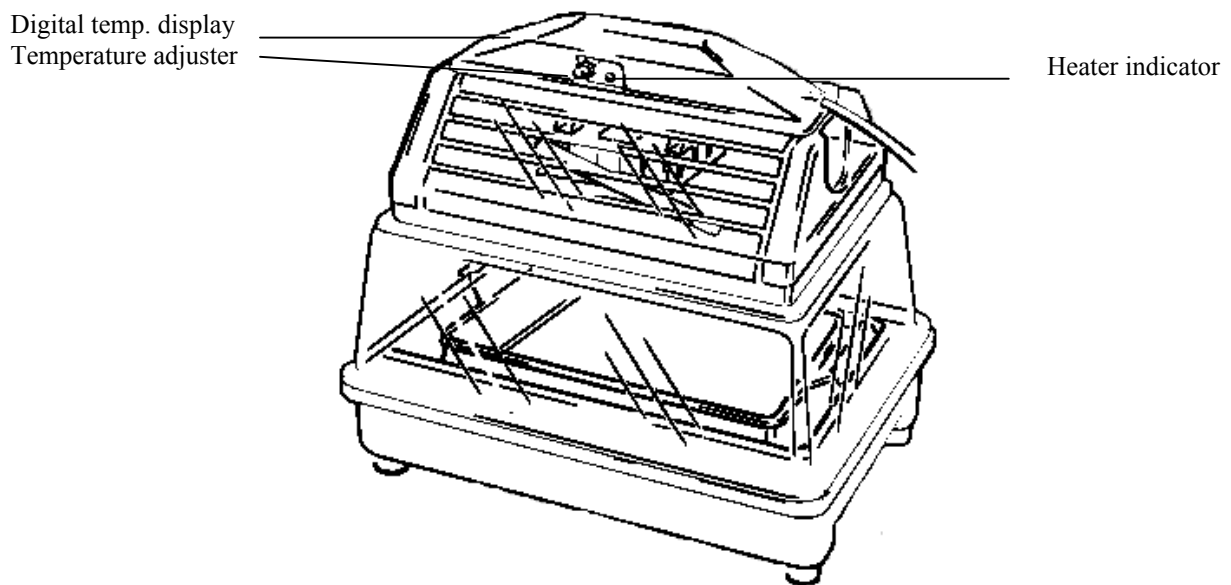
These instructions detail the operation of your new Octagon 20 Parrot Rearing Module. Please read them carefully before setting up your brooder to achieve best results and keep these instructions safe for future reference. The PRM brooder is designed to allow the user to vary the environmental conditions to suit a wide range of species and the specific set-up for every species is beyond the scope of these instructions. There are a range of books available covering hand rearing techniques.

The two principle applications for the PRM are for brooding young altricial species and as a hospital cage to revive sick adult birds. Care must be taken to ensure adult birds do not cause damage to the brooder interior, particularly interference with the fan or temperature sensors. **Damage to these parts could cause injury or death to a bird.**

The Octagon 20 PRM can be ordered as an accessory to the Octagon 20 Digital incubator (excluding incubator top) or as a complete independent brooder (including incubator top).

The PRM is available with a number of options (such as Wet bulb thermometer or Automatic Humidity Control) and in these cases separate operating instructions for these modules are supplied.

Fig. 1 Functional features of the Octagon 20 PRM brooder (shown complete with incubator top).



2.0 Unpacking

Your PRM brooder has been supplied in protective packaging. Please remove all tape, strapping and packing. Retain the carton and packing materials to enable the unit to be repacked.

The Octagon 20 PRM will include:

<u>Quantity</u>	<u>Item</u>
1	Brooder module (including detachable yellow base)
1	Tray (black)
1	Octagon 20 incubator top (if supplied)
1	Guarantee Card

- 2.1 Please identify each part and check that they are all present and undamaged. If there are any parts damaged or missing please contact your retailer or Brinsea Products (at the address at the end of the document).
- 2.2 Note that if your brooder has been ordered with additional options (such as a Wet Bulb thermometer or the Automatic Humidity Module) separate instructions and component lists apply.
- 2.3 Check that the electrical supply matches the machine's requirements (marked on the technical label on the inside of the lid of the Octagon 20 incubator top supplied or transferred from your Octagon 20 incubator).
- 2.4 Complete and return your guarantee card to register for your free 2 year guarantee.
- 2.5 Go to www.Brinsea.com and register as a free member of the Brinsea e-mail group to receive the latest news and information such as advance notice about new products, special offers, exclusive competitions and much more.

3.0 Location and Installation

Your Octagon 20 PRM will give best results in a room free from wide temperature variations and with generous ventilation – particularly important if several brooders are in use at the same time. Ensure that the room temperature cannot drop on a cold night. Ideally thermostatically control the room at between 68 and 80°F (20 and 27°C). Never allow the room temperature to drop below 65°F (18°C) and ensure that the PRM cannot be exposed to direct sunlight.

- 3.1 Place the PRM on a flat, level surface (counter height is ideal). Remove the incubator lid (supplied or transferred from you Octagon 20 incubator) and fill one of the two water channels with water or 100:1 Brinsea Incubation Disinfectant. Replace the tray and replace the lid. Slide the ventilation control to the maximum of its range.
- 3.2 Plug the PRM incubator top mains supply into a suitable outlet. Connecting the power will start the fan (which runs continuously), illuminate the red LED on the control panel and the digital temperature display will indicate the air temperature within the brooder chamber. (See section 4.0 below).
- 3.3 Allow the brooder to run for at least two hours to stabilize the temperature before making adjustments or introducing your birds (see section 6.0 below).

4.0 Temperature

Stable and correct temperature is essential for good results. Adjust with care.

Note: your brooder may not be set to the correct temperature from the factory or when transferring the lid from your Octagon 20 incubator and the following procedure must be followed before introducing birds.

- 4.1 After connecting power the PRM warms up and after a period of time the red LED will change from continuously on to flashing. When flashing regularly the PRM is controlling at temperature. Allow at least two hours for the temperature to fully stabilise throughout the unit before making adjustments to achieve the desired temperature. The temperature at the bottom may be a little lower than indicated on the thermometer at the top. A second thermometer near the bottom is useful particularly with very small birds.
- 4.2 To adjust temperature, rotate the red adjustment spindle on the control panel with a small screwdriver – clockwise to increase temperature, anticlockwise to reduce it. Two degrees Fahrenheit is about ¼ turn of the spindle. Always allow half an hour between adjustments for the temperature to stabilise and refer to the digital temperature display to confirm that the desired temperature has been reached. The display shows degrees Celsius in increments of 0.2°. Adjust temperature with care – small differences can have large effects on the comfort of your birds.

- 4.3 When reducing temperature the red LED may go out while the PRM brooder cools – this is normal.
- 4.4 As a general rule, a newly hatched chick will need a brooder temperature a little lower than incubation temperature, about 95-97°F (35-36°C). The temperature can be reduced progressively at about 1°F (0.5°C) per day until it is fully feathered or no longer requires supplementary heat. In warm ambient conditions this will be sooner than in cold climates. When brooding temperatures are just above room temperature the red indicator light may go out (indicating that no heat is being applied). This indicates that the birds are ready to be moved to a nursery cage. If room temperature then drops (e.g. at night) then the birds can be kept warm by replacing them into the PRM.
- 4.5 Where there is to be a continuous throughput of birds of differing stages of development, several PRM or TLC-4 brooders can be set to different temperatures and the birds moved to cooler units as they grow.

Recommended staged temperature settings for most parrots and falcons:

<u>Days 1 to 5</u>	<u>Days 6 to 10</u>	<u>Days 11 to 15</u>	<u>Days 16 to 25</u>
97°F (36°C)	91°F (33°C)	85°F (29.5°C)	80°F (27°C)

These temperatures have been found to promote optimal health and growth for newly hatched chicks and are a little higher than may be found in nests. Where birds are taken from a nest after more than a few days, the temperature setting will usually need to be a few degrees lower to prevent heat stress. The recommendations above are for guidance only, always observe the chick's behaviour (see below) to verify setting.

Temperatures too high can cause heat stress, dehydration, deformities or haemorrhaging under the skin. Low temperature may reduce appetite and retard growth. Observation of the bird is the best guide to its comfort. Chicks try to huddle together if cold and move about seeking parental warmth. Chicks too warm separate and pant. In either case they will complain vocally. Comfortable birds will lie quietly sleeping with wings loosely folded at the sides, usually in contact with one another.

- 4.6 Developing chicks are fairly tolerant of short term temperature drops but care should be taken about cooling that occurs during feeding or inspection. Keep the room warm, hold the bird in a cloth to prevent chilling from cold hands and use warmed feeding utensils.

5.0 Humidity

Many exotic species raise young in naturally hot, humid conditions. By raising the air temperature in a brooder the humidity level will be reduced and can cause dehydration in young birds.

- 5.1 Your PRM brooder has two water reservoirs built into the base to allow the humidity level within the unit to be increased. Humidity is altered by changing the surface area of the water i.e. water in one, both or neither reservoirs. Use a solution of Brinsea Incubation Disinfectant (1part concentrate to 100 parts water) in the water reservoirs to inhibit bacterial build-up. It is recommended that the reservoir is topped up with solution daily to reduce dehydration of the chick(s).
- 5.2 If measuring humidity levels directly be cautious of readings from low cost analogue or digital hygrometers. The best way of accurately measuring humidity levels at reasonable cost is to use a wet bulb thermometer. A specially designed wet bulb thermometer is available for the Octagon 20 incubator and PRM. Contact Brinsea or your local dealer for details.
- 5.3 The Brinsea H22 Automatic Humidity Management Module is available as an option on the Octagon 20 incubator and PRM. This module provides a readout of RH level and automatically controls water evaporation to maintain the user's setting.

6.0 Introducing your Birds

Once the correct temperature has been established and the air humidified the PRM is ready for use. For older chicks and adults, line the base of the brooder tray with paper towelling and place the bird(s) directly on this.

- 6.1 For newly hatched chicks we recommend using tubs lined with paper towel ensuring that the ventilation holes in the base of the PRM are not blocked. Chicks of similar age and size can be placed together and benefit from the warmth and comfort. If disparity in size is too great the smaller chick is at risk of being crushed or smothered
- 6.2 Change paper towel at each feed or at least four times a day.
- 6.3 Follow feeding regimes recommended by breeders for your species ensuring the highest standards of hygiene at all times.

7.0 Cleaning Up

7.1 **IMPORTANT:**

DISCONNECT THE PRM BROODER FROM THE MAINS POWER SUPPLY DURING CLEANING.

ENSURE THAT ALL ELECTRICAL PARTS ARE KEPT DRY.

NEVER WASH THE TRAY, COVERS OR CABINET PARTS IN LIQUIDS OVER 120°F (50°C).
DO NOT USE A DISHWASHER TO CLEAN THE TRAY, BASE OR INCUBATOR LID.

- 7.2 Following each brood in your Octagon 20 PRM remove all debris from the floor. Wipe all internal surfaces with a soft cloth soaked in 100:1 Brinsea Incubation Disinfectant solution. Immerse and soak the tray in disinfectant solution. Ensure that the instructions supplied with the fluid are followed. Periodically unscrew the four nuts retaining the fan cover in the incubator lid, remove the cover and soak. Dust and fluff may be removed from the fan with a soft brush
- 7.3 The exterior of the PRM may be cleaned with a damp cloth.
- 7.4 Always clean the PRM brooder before storage and ensure that the unit is totally dry inside and out.
- 7.5 Re-order Brinsea Incubation Disinfectant by phoning 1-888 667 7009.

8.0 Servicing

IMPORTANT. THE HEATER IS AT MAINS VOLTAGE. NEVER DRILL INTO OR PUNCTURE THE CLEAR LID OF THE INCUBATOR. RISK OF ELECTRIC SHOCK.

- 8.1 Under certain conditions it is possible that condensation may form between the inner and outer clear top mouldings. The presence of water between these layers does not affect the performance of your incubator and does not pose an electrical hazard because the element itself is sealed and the live parts are not exposed. To disperse condensation leave the brooder running without birds or water in a warm room.
- 8.2 In case of failure first check that the mains power supply is working and that there is power at your receptacle. If the problem persists contact your distributor or Brinsea Products Service Dept. The functional parts of the Octagon 20 PRM are modular and parts are available and are readily exchanged by a suitably qualified person equipped with basic tools. Fitting instructions are supplied with replacement parts.

- 8.3 The digital temperature display is individually calibrated during manufacture but may be re-calibrated if required. To ensure optimal performance return the incubator to Brinsea Products Service dept. for re-calibration every two years. It is not recommended that this procedure is carried out by the user.

9.0 Specification

Construction:	Base moulding: structural, insulated polyurethane
	Incubator lid & center brooder section: Twin skin clear polymer
Dimensions :	15" x 11½ x 13½" high (including the height of the incubator top) (Max. Internal) 8" high
Weight:	2.6 lbs (excluding incubator top) 5.5 lbs (including incubator top)
Power Consumption:	45 Watts (maximum) 25 Watts (typical average)
Electrical Supply:	115v 60Hz or 230v 50Hz as ordered

**Brinsea Products Inc., 704 N Dixie Ave., Titusville, FL 32796-2017 USA.
Phone. (321) 267-7009 Toll Free 1-888-667-7009 Fax (321) 267-6090
e-mail BrinseaUSA@aol.com, website www.brinsea.com**